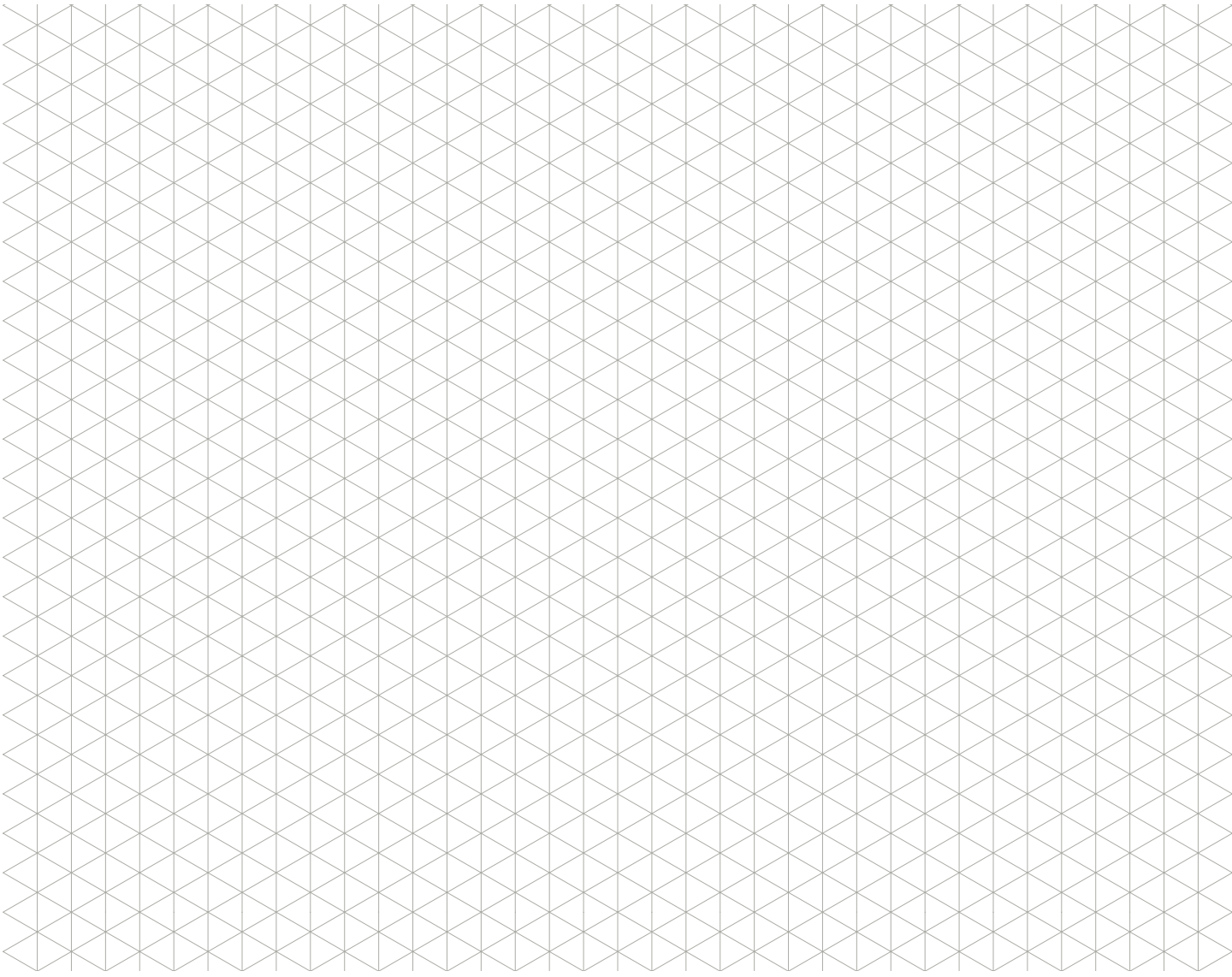


**PROJECT NAME :** \_\_\_\_\_

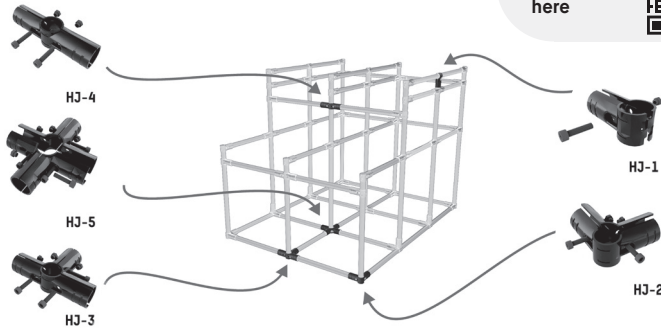
<b>DATE :</b>	<b>LOADING CAPACITY:</b>	<b>OVERALL DIMENSIONS:</b>
---------------	--------------------------	----------------------------



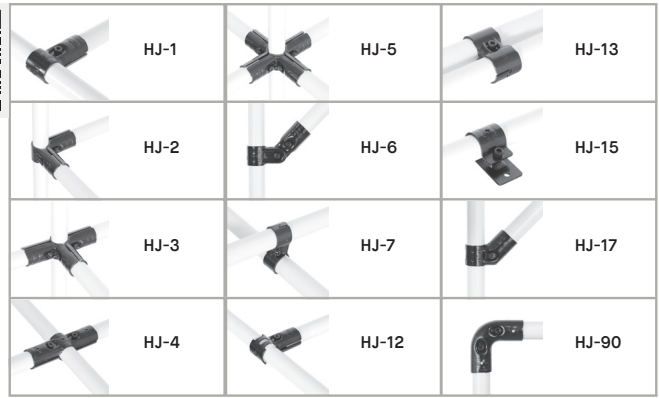
**BILL OF MATERIAL**

<b>PARTS / CUTS</b>	<b>QTY</b>	<b>PARTS / CUTS</b>	<b>QTY</b>	<b>PARTS / CUTS</b>	<b>QTY</b>

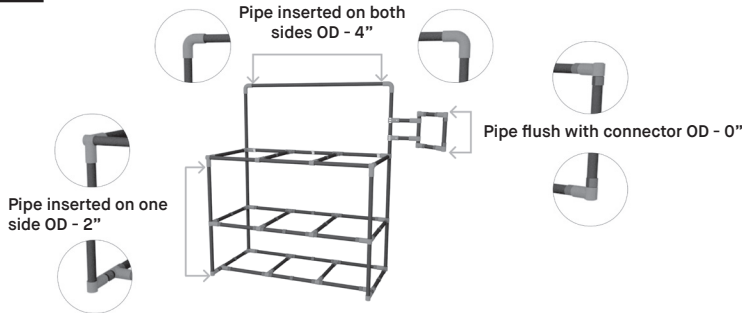
## POPULAR JOINTS :



View all connectors here



## PIPE CUTTING RULES:

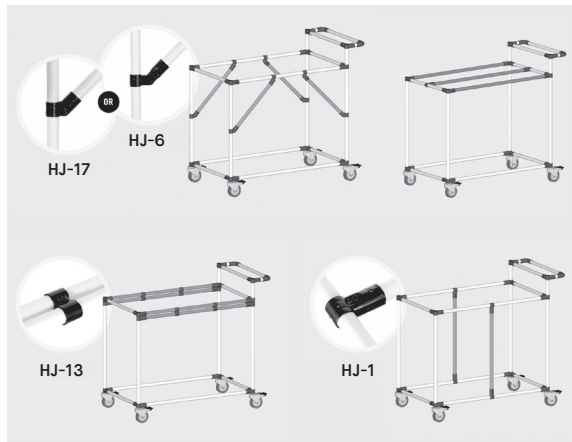


## LOADING CAPACITY:

Refer to the longest pipe span on your structure.

PIPE SPAN	1 MM
12"	766.7 LB
24"	383.4 LB
36"	255.6 LB
48"	191.7 LB
60"	153.3 LB
72"	127.8 LB
84"	109.5 LB
96"	95.5 LB

## HOW TO REINFORCE YOUR STRUCTURES :



## FLOW RACK:

Flow rack rule of thumb pitch should be about 3%



WEIGHT



SLOPE REQUIRED

FIRM CARBOARD BOX	Pounds (kg)	Inches per foot	Inches per 10 feet
	5 lbs (2 kg)	7/8 po (22.2 mm)	9 po (228.6 mm)
	10 lbs (4.5 kg)	3/4 po (19 mm)	7-1/2 po (190.5 mm)
	50 lbs (23 kg)	1/2 po (12.7 mm)	5 po (127 mm)
PLASTIC BINS	Pounds (kg)	Inches per foot	Inches per 10 feet
	10 lbs (4.5 kg)	1/2 po (12.7 mm)	5 po (127 mm)
	25 lbs (11 kg)	3/8 po (9.5 mm)	3-3/4 po (95.25 mm)
	50 lbs (23 kg)	5/16 po (7.9 mm)	3-1/8 po (79.4 mm)

## TOTAL HEIGHT:



Parts	Caster Total Height	Caster Capacity	Usage
4" Plate caster	5-1/16"	285 lbs	Frequent use - longer trips
6" Plate caster	7-1/2"	500 lbs	Frequent use - longer trips
3" Stem caster	4-1/16"	150 lbs	Infrequent use - small trips
4" Stem caster	5-1/8"	250 lbs	Infrequent use - small trips
Foot leveler	1-1/2"	-	Stationary structure



Check out suggested workstations and flow rack suggested heights at:

[www.flexpipeinc.com/ergo](http://www.flexpipeinc.com/ergo)

## REMINDER:

?

- What are the overall dimensions?
- How much weight will it hold?
- Is it mobile or stationary?
- What is the longest span?

## CONTACT:

### GET QUICK ASSISTANCE FROM OUR DESIGN & ASSEMBLY SPECIALIST

→ EMAIL  
at [esolano@flexpipeinc.com](mailto:esolano@flexpipeinc.com)

OR

→ LIVE CHAT  
schedule a virtual meeting with this code qr



**FLEXPIPE**  
MAKE IT WORK FOR YOU